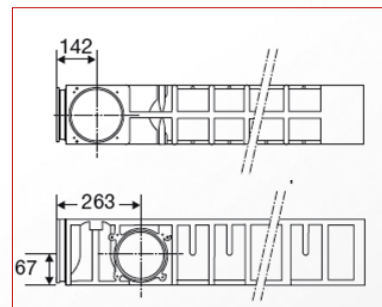
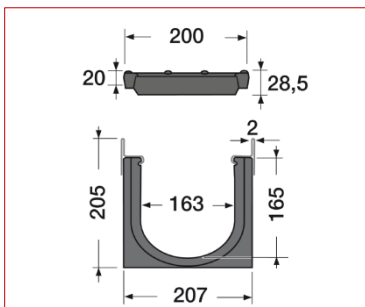


Kenadrain I Channel width 150, class C250

Code : DR152CF



■ FUNCTION :

This product is to drain run-off water with gratings of length 1000 mm, of class C250 complying with the standard NF-EN 1433, holding the CE marking, assembled via a male/female connection system with locking

■ DESCRIPTION :

It is comprised of:

- a injected recycled polypropylene black body
- two galvanized steel edges.
- two black cast iron gratings class C250
- 4 locking system with bolts per grating

■ ACCESSORIES :

To connect the channels to the underground network :

- PVC end caps, vertical or lateral outlets (Ø125 or Ø160)
- EKSO sump units manufactured also in PVC

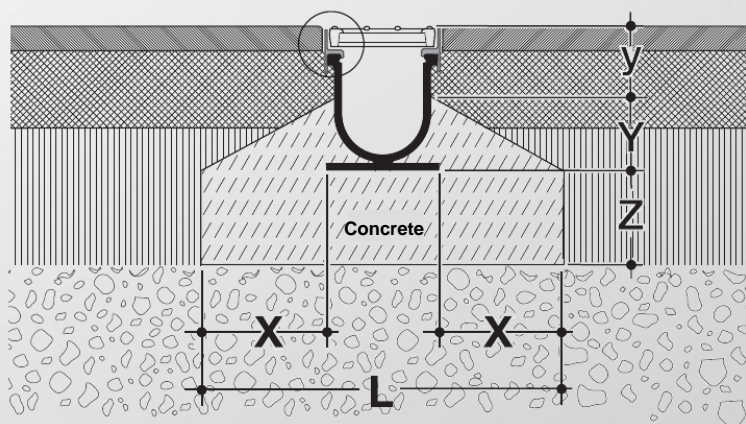


■ CHARACTERISTICS :

- Resistance class: C250
- Effective width: 163 mm
- Effective depth: 165 mm
- Grating type: Cast iron
- Drainage surface: 624 cm²/ml
- Hydraulic section: 240.8 cm²
- Opening dimensions: 18 / 158 mm
- Weight: 19,8 KG

■ IMPLEMENTATION:

- X = 150 mm; L = 510 mm
- Z = 150 mm; Y = 125 mm ; y = 85 mm



■ QUALITY- ENVIRONMENT :

ISO 9001
ISO 14001
BUREAU VERITAS
Certification



December 2013