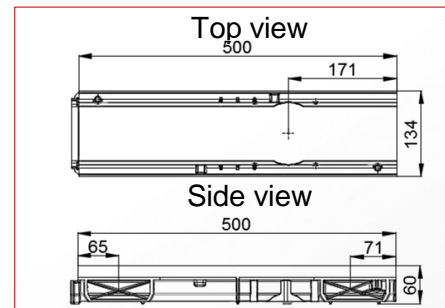
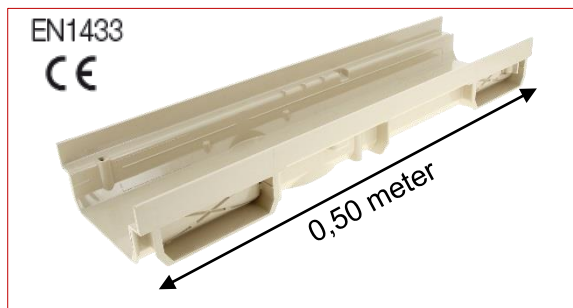
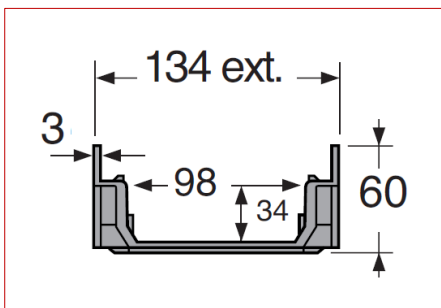


# Connecto® I Sand shallow channel – Outside width 130mm

Code : CAB773S



## FUNCTION :

The drainage channel is designed to drain run-off water. In accordance with EN1433 standard and the marking **CE**, it can be used in private areas for all building applications, the environment of home, pedestrian areas, private car parks or car parking decks in class **A15** or **B125**.

## DESCRIPTION :

This channel body is injected in sand PVC with male/female interlocking system. The gratings GRL77 (light grey), GRL77S (sand), GRL77K (dark grey), GR77P (light grey), GR77PS (sand), GR77PB (white), GR77 (light grey) et GR77S (sand) are suitable with this channel.

## ACCESSORIES :

The network connection can be realized thanks to the following PVC accessories :

- end cap/end or lateral outlet Ø40 : NAH773S
- vertical outlet Ø100 or 110 : STCAN or SVCAN
- sump unit with outlet Ø100 or 110 : PSCVT or PSCVV

## CHARACTERISTICS :

Effective width: 98 mm  
 Effective depth: 34 mm  
 Hydraulic section: 33 cm<sup>2</sup>  
 Weight: 0,6 kg



STCAN  
SVCAN



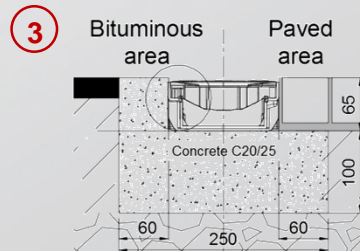
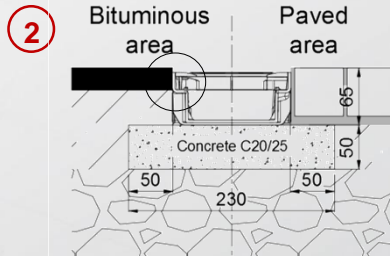
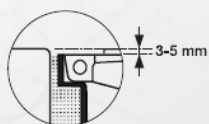
NAH773S



PSCVT  
PSCVV

## IMPLEMENTATION :

1. The channel body makes it possible to carry out 90° angles by interlocking.
2. See the scheme opposite for class A15
3. See the scheme opposite for class B125



## QUALITY - ENVIRONMENT :

ISO 9001  
 ISO 14001  
 ISO 50001  
 BUREAU VERITAS  
 Certification



DATE : February 2016