

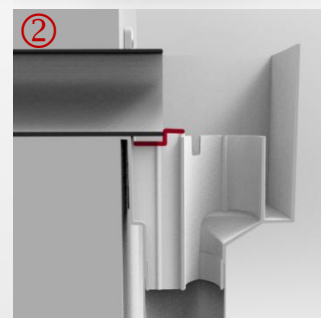
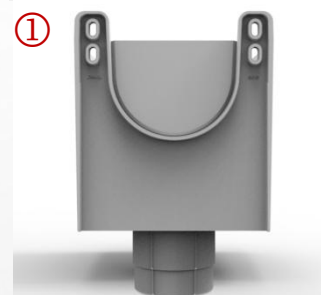
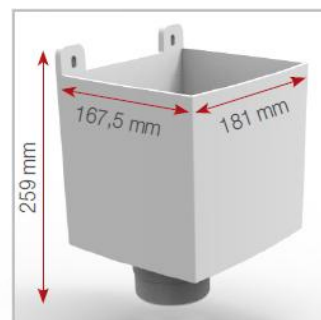
# Gutters - Rainwater hopper

Codes : BA080 – BA0100 – BA095 – BA0107



	Description	WHITE REF. (RAL 9010*)	SAND REF. (RAL 1015*)	LIGHT GREY REF. (RAL 7047*)	ANTHRACITE GREY REF. (RAL 7016*)	BLACK REF. (RAL 9011*)	BROWN REF. (RAL 8017*)	PACK.
<b>ROUND DOWNPIPE</b>								
	Rainwater hopper for round drop ø80	BA080B	BA080S	BA080	BA080A	BA080N	BA080M	6
	Rainwater hopper for round drop ø100	BA0100B	BA0100S	BA0100	BA0100A	BA0100N	BA0100M	6
<b>OVAL DOWNPIPE</b>								
	Rainwater hopper for oval drop 90 x 56 (e.g. TD107B)	BA095B	BA095S		BA095A	BA095N	BA095M	1
	Rainwater hopper for oval drop 105 x 76 (e.g. TD107B)	BA0107B	BA0107S			BA0107N	BA0107M	1

\* Most similar RAL reference.



## ■ FUNCTION :

The rainwater hopper Nicoll fits with rainwater downpipes and collects several downpipes, flat roof, horizontal exits terraces, overflow, etc ...

## ■ DESCRIPTION :

Fully injected in anti-UV treated PVC, it is available in colors:  
 - light grey, white, sand, brown, black, anthracite for Ø 80,  
 - light grey, white, sand, brown, black, anthracite for Ø 100  
 - white, sand, brown, black, anthracite for the oval tube 90 x 56  
 - white, sand, brown, black for oval tube 105 x 76.

## ■ IMPLEMENTATION :

- ① Remove the cover plate from the rear part to insert the parapet outlet into the Nicoll rainwater hopper. Compatible with the following outlets: round (Ø80, Ø100, Ø110) and rectangular (max. width 110)
- ② Position the rainwater hopper so that the parapet outlet slots all the way in. This will maximise the hydraulic capacity of the hopper.
- ③ Secure the rainwater hopper in place by inserting screws through the oblong slots.
- ④ To create an overflow warning outlet, pierce the bottom of the overflow pipe (interior Ø15). This ensures that any overflow will be visible below the rainwater hopper indicating a possible blockage.

## ■ QUALITY - ENVIRONMENT :

ISO 9001  
 ISO 14001  
 BUREAU VERITAS  
 Certification



March 2014