



0701058/SIL10 0791058/SIL1Y 0701078/SIL1S 0701059/SIL20 0781058 / SIL1G Float valve

FUNCTION :

- Silent back pressure float valve
- side water inlet

TECHNICAL FEATURES :

Material :

- Body : ABS
- Membrane : EPDM / SILICON
- Inlet : BRASS

Dimensions :

- Height = 230 mm / Width = 50 mm / Depth = 108 mm
- Working pressure from 0,5 to 16 bar



CODE NUMBER	INLET CONNECTION	PACKAGING
0701058 / SIL10	G 3/8"	BOX
0791058 / SIL1Y	G 3/8"	CLEAR BOX
0781058 / SIL1G	G 3/8"	CLEAR BOX
0701078 / SIL1S	G 3/8"	BAG
0701059 / SIL20	G 1/2"	BOX

ACCESSORIES :

Nut and gasket supplied

IMPLEMENTATION :

Water supply network must be cleaned before connecting the float valve

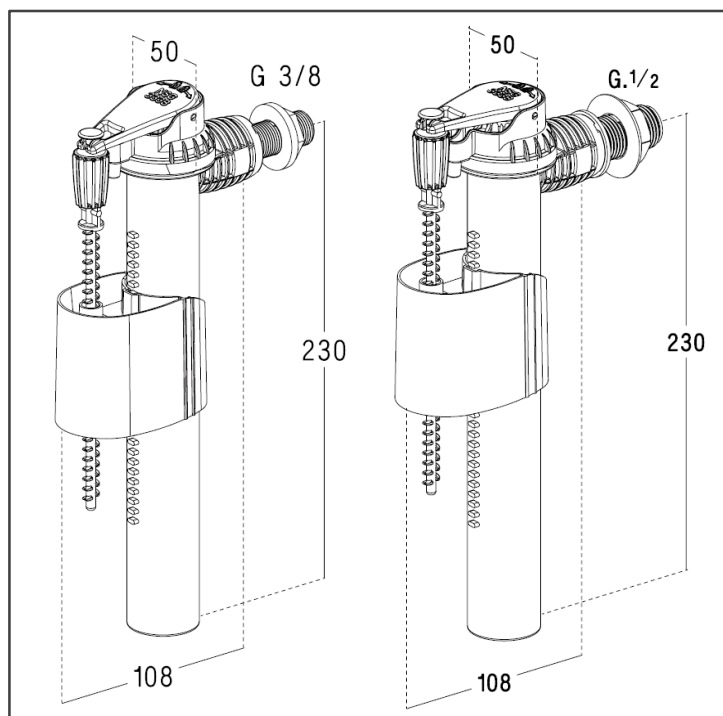
The float has to be adjusted (with the yellow screw) in order to keep the air seal ≥ 20 mm (distance between the water surface and the overflow level).

The membrane (at the top) is dismantable (quarter turn) for cleaning when necessary)

MAINTENANCE :

Servicing : Pour regularly a glass of white vinegar to avoid scale deposits

<https://youtu.be/o8b2L1ybZQs>



SEPTEMBER 2020



Siège Social : 37, rue Pierre & Marie Curie
 BP 10966 - 49309 Cholet Cedex
 Téléphone : 33 (0)2 41 63 73 25
 Fax : +33 (0)2 41 63 73 23
 Email: tech-com.nicoll@alixis.com

an Aliaxis company