



**0702109 / 3V101 – 0702114 / 3V10S – 0782109 / 3V11G**  
**0792109 / 3V11Y**

**Dual flush mechanism with cable**



**FUNCTION :**

Dual flush mechanism for exposed WC ceramic or plastic cisterns

**DESCRIPTION :**

- Adjustable overflow by screwing (telescopic, no cutting)
- Automatic setting of the small flush level
- Adjustable of the remaining water level
- Cable in stainless steel, protected in a sleeve
- Soft closing

**TECHNICAL FEATURES :**

**Material :**

- Valve seal in silicon (removable for cleaning)
- Chrome push button

**Dimensions**

- Covering height : 300 to 420 mm
- Hole of cistern cover : 16 to 50 mm
- Diameter of base : G2"

CODE NUMBER	PACKAGING
0702109 / 3V101	CARDBOARD BOX
0702114 / 3V10S	PLASTIC BAG
0782109 / 3V11G	PLASTIC BOX
0792109 / 3V11Y	PLASTIC BOX

**NF CERTIFIED :**

- According to NF 076

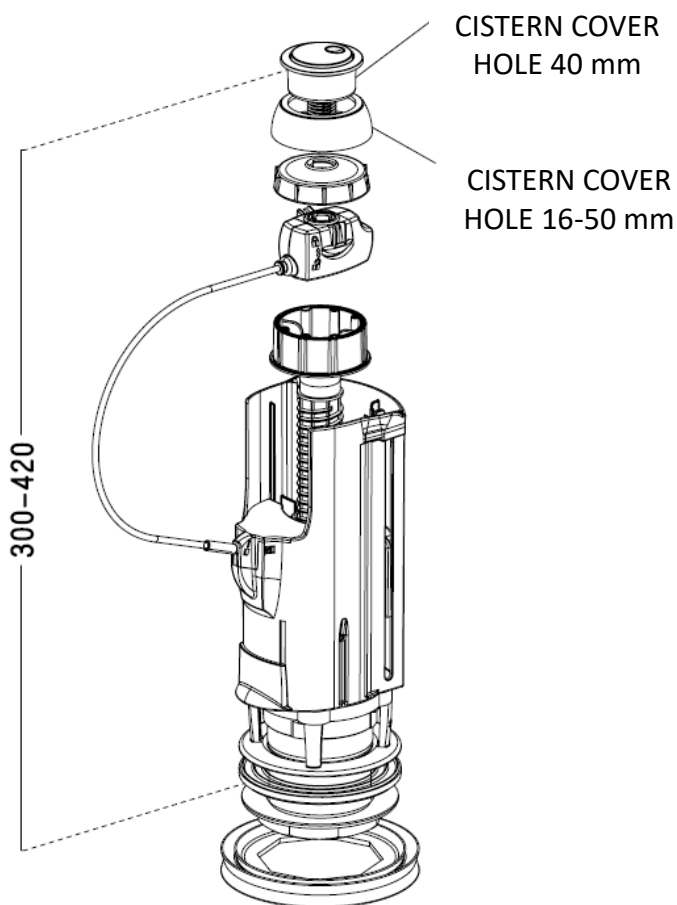


**PROVIDED ACCESSORIES :**

- Cistern-on-pan gasket
- Cistern-on-pan fixing kit (in stainless steel)

**MAINTENANCE :**

- Servicing : Pour regularly a glass of white vinegar to avoid scale deposits



**SEPTEMBER 2020**



Siège Social : 37, rue Pierre & Marie Curie  
BP 10966 - 49309 Cholet Cedex  
Téléphone : 33 (0)2 41 63 73 25  
Fax : +33 (0)2 41 63 73 23  
Email: tech-com.nicoll@alixis.com

an Aliaxis company