

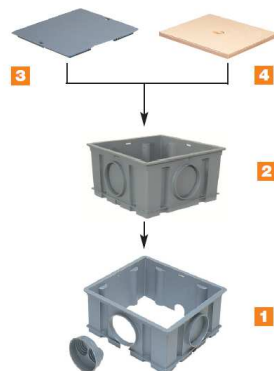


## RIEL – RERTX – CORETX – CORETX V – CORETXS – TR 30 – TR30S

# TELECOM INSPECTION CHAMBER

### MAIN FUNCTION :

- Inspection chamber to access at underground cables connection in private environment.
- Product checked by France Telecom for his uses.



### DESCRIPTION :

Systeme composed with :

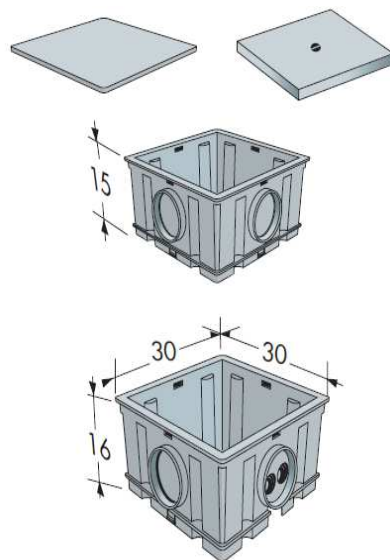
- RIEL : inspection chamber without bottom in polypropylene 300 x 300 x 300 x 160 mm. In the two adjoining sides, we have opening holes to introduce electric cables duct in DN35 or DN 28-32-40-45 if we used the round plug ;
- RERETX : rise frame in polypropylene 300 x 300 x 150 mm. Possibility to stake several frames in accordance with the inspection chamber depth ;
- CORETX / CORETXS : plastic cover grey or sand color (cannot be walked) to close the top of the chamber ;
- TR30 / TR30S : plastic cover grey or sand color (admissible load 1,5 T. if we used concrete around) to close the top of the inspection chamber.

### STANDARDS/CERTIFICATES :

- Covers TR30/TR30S : load class L15, in accordance with the NF EN1253-4.

### TECHNICAL CHARACTERISTICS:

	Lenght	Width	Height
RIEL	300 mm	300 mm	160 mm
RERTX	300 mm	300 mm	150 mm



### IMPLEMENTATION :

- Make an excavation where inspection chamber will take place (larger than the chamber, we will use concrete around to stabilize the chamber) ;
- Realized a concrete bed ;
- Install body of the chamber (RIEL) above the electric cables ;
- Cut the opening cap in accordance with the cables duct diameter ;
- Used rise frame (RERETX) to adjust the height of the chamber at the finish level ;
- Closed the inspection chamber with a cover (choose in accordance with the traffic load) ;
- Backfilling around the chamber with concrete to seal all.